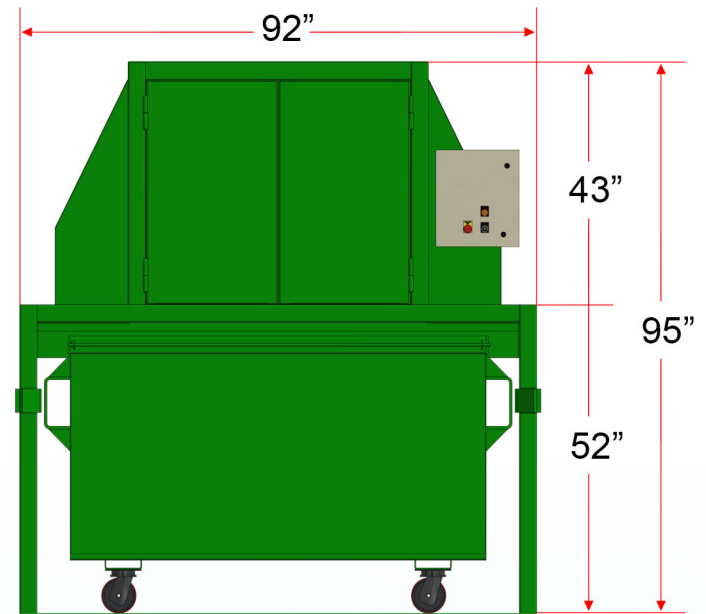


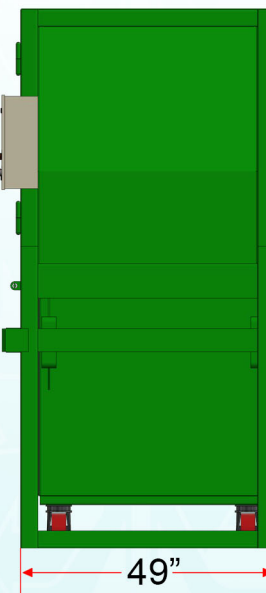
DIMENSIONS

	TV2000-Mini
Overall Height	95"
Load Height	52"
Overall Width	92"
Overall Depth	49"
Shipping Weight	1,845 lbs
Container Capacity	2.5 cubic yards
Container Type	standard front-end
Container Castors	6" poly style



ELECTRICAL

Electrical	Hydraulic
115V, 1 phase (20A dedicated service) Standard wall duplex required	1 x 4" diameter cylinder Compaction force: 18,840lbs System pressure: 1,500 psi
Main Control Panel	Power Unit
PLC based design Keyed start switch Container full light System reset Emergency stop button UL approved design	1 x 2 hp motor (3,650 rpm) 5 gallon oil reservoir



STANDARD ELECTRICAL FEATURES

- ▶ UL/CSA Approved Design
- ▶ Meets/exceeds OSHA regulations
- ▶ PLC "flex-design" based control systems
- ▶ NEMA 4 rated enclosure
- ▶ Internal timers prevent system run-on
- ▶ 24-volt controls
- ▶ Adjustable multi-cycle timer
- ▶ 75% and 100% full light
- ▶ Heavy duty oil-tight pushbutton controls
- ▶ Key lockable start pushbutton

HYDRAULIC SYSTEM UPGRADES

- ▶ Single phase and three phase power units
- ▶ Hi-lo hydraulic pumps
- ▶ Regen circuit
- ▶ Oil cooler
- ▶ Bio-degradable oil
- ▶ In tank oil heater
- ▶ Low temperature oil (as low as -60 Celsius available)

ELECTRICAL SYSTEM UPGRADES

- ▶ System monitor
- ▶ Remote start/stop station
- ▶ Auto-start system (photo-eye or sonic sensor)
- ▶ Wireless remote control
- ▶ Biometric interface
- ▶ HMI based operator interface

COMPACTOR UPGRADES

- ▶ Custom chute systems
- ▶ Custom weather enclosures
- ▶ Drive-on deck systems (certified up to 20,000 lbs.)
- ▶ Tongue and grooved floor designs
- ▶ AR plate floors and sides
- ▶ Custom hydraulic cart tipping systems
- ▶ Custom steel safety barriers
- ▶ Custom hydraulic lift systems

This Equipment is UL/CSA Approved and Conforms to all Current ANSI Z245.2 Safety Standards

In order to provide the most currently engineered and designed equipment, we reserve the right to change specifications without notice. This brochure is intended to provide information only, and should not be used in an arbitrary manner to judge equipment for any particular purpose.

