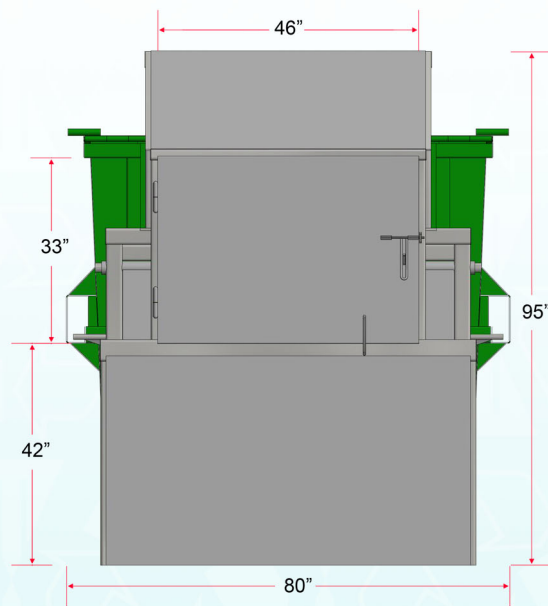
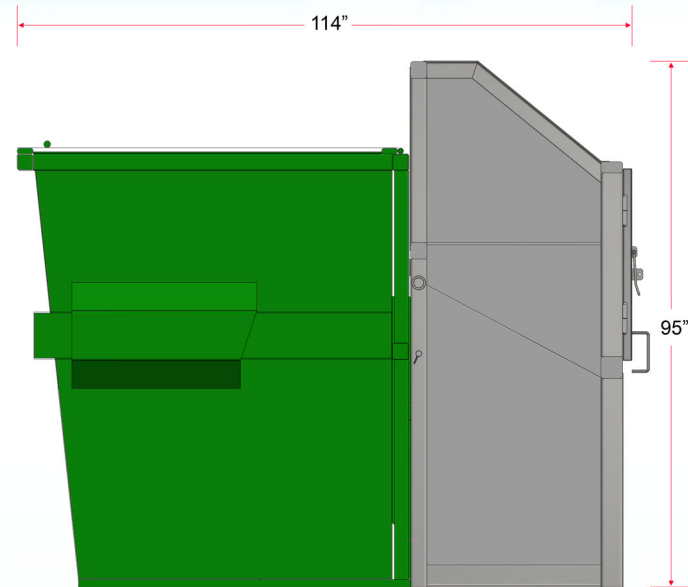


SPECIFICATIONS

	TV3000-6	TV3000-8
Charge Chamber Volume	1 cu yd	1 cu yd
Charge Chamber Opening Size	33" x 46"	33" x 46"
Ram Face Size	46" x 33½"	48" x 33½"
Ram Penetration	29"	29"
Compaction Force Normal	28,260 lbs	28,260 lbs
Compaction Force Maximum	33,912 lbs	33,912 lbs
Cycle Time	34 seconds	34 seconds
System Pressure Normal	2,000 psi	2,000 psi
System Pressure Maximum	2,400 psi	2,400 psi
Pump Capacity	2 gpm	2 gpm
Motor Size	2 hp	2 hp
Cylinder Size	2 x 3"	2 x 3"
Cylinder Type	Double Acting	Double Acting
Ram Face Pressure Normal	17.4 psi	17.4 psi
Ram Face Pressure Maximum	20.8 psi	20.8 psi
Oil Tank Capacity	5 gal	5 gal
Shipping Weight	2,950 lbs	3,145 lbs



ELECTRICAL

Control System	110 Volt 60 Cycle powered by step-down transformer
Control Panel	Fully wired, keyed start button, emergency stop, full light, reset button, plc, current sensor
Power	208/575 Volt, 3 Phase/220 Volt, single phase

STANDARD ELECTRICAL FEATURES

- ▶ UL/CSA Approved Design
- ▶ Meets/exceeds OSHA regulations
- ▶ PLC "flex-design" based control systems
- ▶ NEMA 4 rated enclosure
- ▶ Internal timers prevent system run-on
- ▶ 24-volt controls
- ▶ Adjustable multi-cycle timer
- ▶ 75% and 100% full light
- ▶ Heavy duty oil-tight pushbutton controls
- ▶ Key lockable start pushbutton

HYDRAULIC SYSTEM UPGRADES

- ▶ Single phase and three phase power units
- ▶ Hi-lo hydraulic pumps
- ▶ Regen circuit
- ▶ Oil cooler
- ▶ Bio-degradable oil
- ▶ In tank oil heater
- ▶ Low temperature oil (as low as -60 Celsius available)

ELECTRICAL SYSTEM UPGRADES

- ▶ System monitor
- ▶ Remote start/stop station
- ▶ Auto-start system (photo-eye or sonic sensor)
- ▶ Wireless remote control
- ▶ Biometric interface
- ▶ HMI based operator interface

COMPACTOR UPGRADES

- ▶ Custom chute systems
- ▶ Custom weather enclosures
- ▶ Drive-on deck systems (certified up to 20,000 lbs.)
- ▶ Tongue and grooved floor designs
- ▶ AR plate floors and sides
- ▶ Custom hydraulic cart tipping systems
- ▶ Custom steel safety barriers
- ▶ Custom hydraulic lift systems

This Equipment is UL/CSA Approved and Conforms to all Current ANSI Z245.2 Safety Standards

In order to provide the most currently engineered and designed equipment, we reserve the right to change specifications without notice. This brochure is intended to provide information only, and should not be used in an arbitrary manner to judge equipment for any particular purpose.

